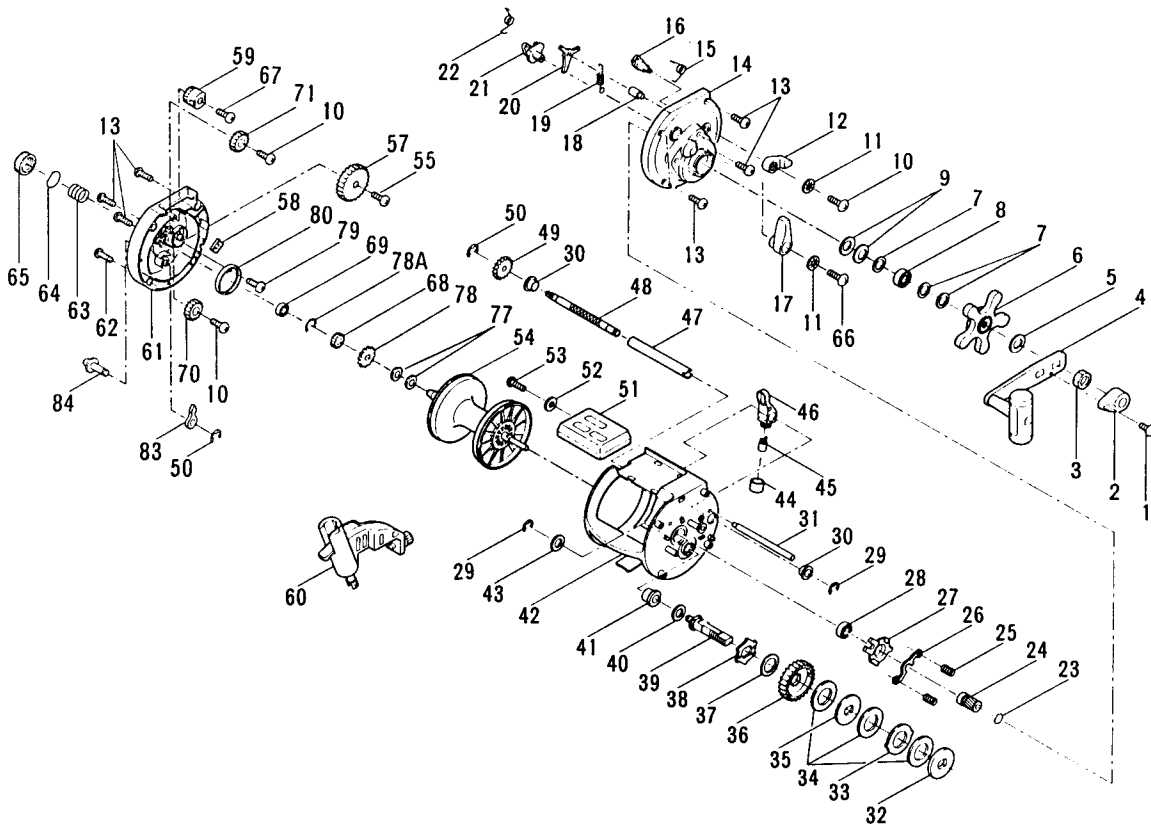




PARTS AND PRICE LIST FOR MODEL 875LC



Key No.	Part No.	Description	Price	Key No.	Part No.	Description	Price
1	32-875	Handle Lock Screw	\$.50	40	98A-875	Gear Stud Washer	\$ 6.00
2	110A-875	Handle Nut Cap	.90	41	98B-875	Gear Stud Bearing	1.00
3	23-875	Handle Nut	1.00	42	183-875	Frame	16.00
4	24-875	Handle Assembly	8.00	43	98C-875	Gear Stud Washer	.60
5	8-875	Thrust Washer	.80	44	48-875	Pawl Cover Screw	1.00
6	10-875	Drag Star Assembly	3.10	45	47-875	Pawl	3.00
7	9-875	Spacing Washer (3)	.90	46	46-875	Line Guide	4.15
8	20-722	R.S. Plate Bearing	12.95	47	50-875	Worm Shaft Shield	1.90
9	8A-875	Disc Spring (2)	.50	48	42-875	Worm Shaft	4.25
10	63B-875	Mounting Screw (3)	.50	49	45-875	Worm Shaft Gear	2.75
11	22A-875	Eccentric Washer (2)	.50	50	42B-875	Retaining Ring (2)	.50
12	21A-875	Direct Drive Lever	1.50	*51	303-875	Control Box Asm. (Feet)	65.00
13	39A-875	Mounting Screw	.45	*51	303-875M	Control Box Asm. (Metric)	65.00
14	1-875	R.S. Plate	4.75	52	304-875	Flat Washer	.50
15	104-875	Direct Drive Spring	.80	53	305-875	Control Box Screw	.40
16	19C-875	Direct Drive Eccentric	.90	54	29-875	Spool Assembly	15.00
17	21-875	Eccentric Lever	1.50	55	39B-875	Mounting Screw	.45
18	158-875	Dog Pin	.60	57	64-875	Idler Gear	1.45
19	14-875	Dog Spring	.50	58	96-875	Line Storage Clip	.60
20	15-875	Dog	1.50	59	306-875	Control Box Gear	3.00
21	19-875	Eccentric	4.50	60	302-875	Bogey Wheel Assembly	20.00
22	20-875	Eccentric Spring	.50	61	27-875	L.S. Plate	6.25
23	40-875	Thrust Washer	.50	62	39-875	Mounting Screw	.45
24	13-875	Pinion Gear	7.50	63	41-875	L.S. Bearing Spring	.70
25	18-875	Clutch Spring (2)	.50	64	41C-875	Thrust Washer	.40
26	12-875	Pinion Yoke	1.35	65	40A-875	L.S. Bearing Cap	1.50
27	11-875	Eccentric Jack	4.50	66	22-875	Eccentric Screw	.50
28	55-875	Spool Bearing	7.45	67	63-875	Gear Mounting Screw	.50
29	98D-875	Retaining Ring (2)	.40	68	66-875	Spool Gear	1.00
30	43-875	Worm Bearing (2)	.90	69	55A-875	Spool Ball Bearing	8.00
31	58-875	Line Guide Post	1.50	70	64A-875	Idler Gear A	1.45
32	86-875	Metal Drag Washer	1.00	71	64B-875	Idler Gear B	1.45
33	7-875	Ear Drag Washer	.70	77	81A-875	Click Ratchet Spacer (2)	.40
34	6-875	Drag Washer HT-100 (3)	.70	78	81-875	Click Ratchet	2.00
35	86A-875	Metal Drag Washer	1.00	78A	67-875	Retaining Ring	.40
36	5-875	Main Gear	9.50	79	63A-875	Mounting Screw	.40
37	4-875	Fibre Washer	.80	80	62-875	Click Spring	2.00
38	98R-875	Ratchet Assembly	4.00	83	35-875	Click Tongue	1.00
39	98S-875	Gear Stud	5.00	84	36-875	Click Button	3.00